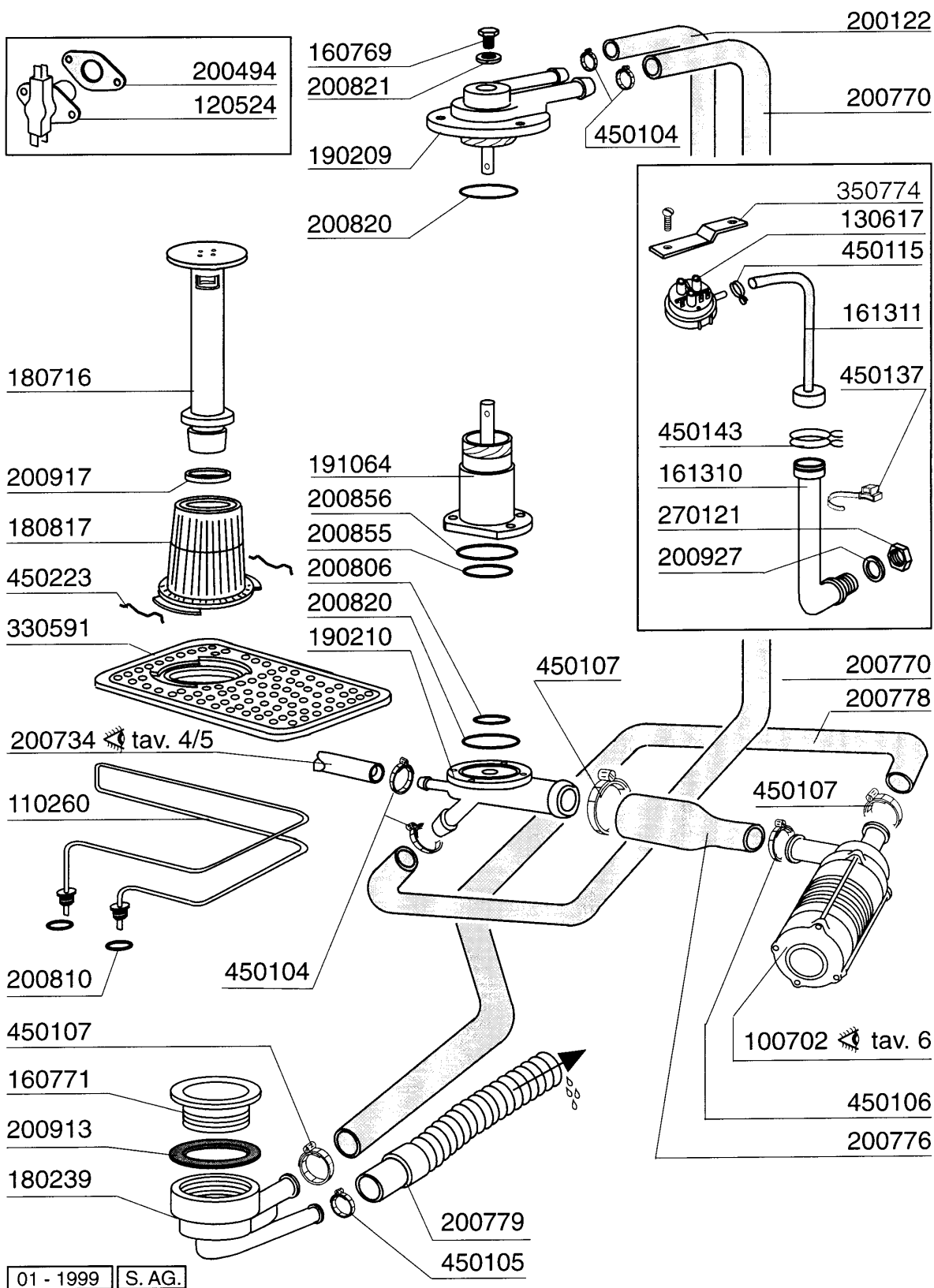


01 - 1999 S. AG.

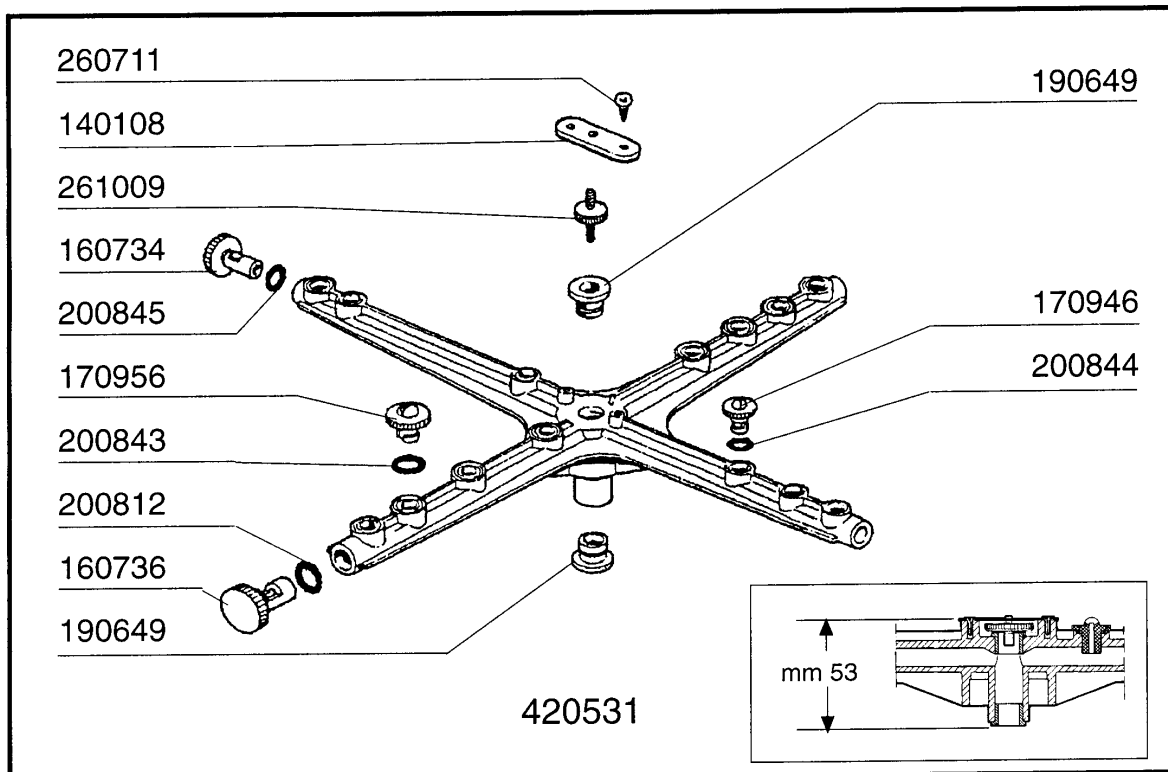
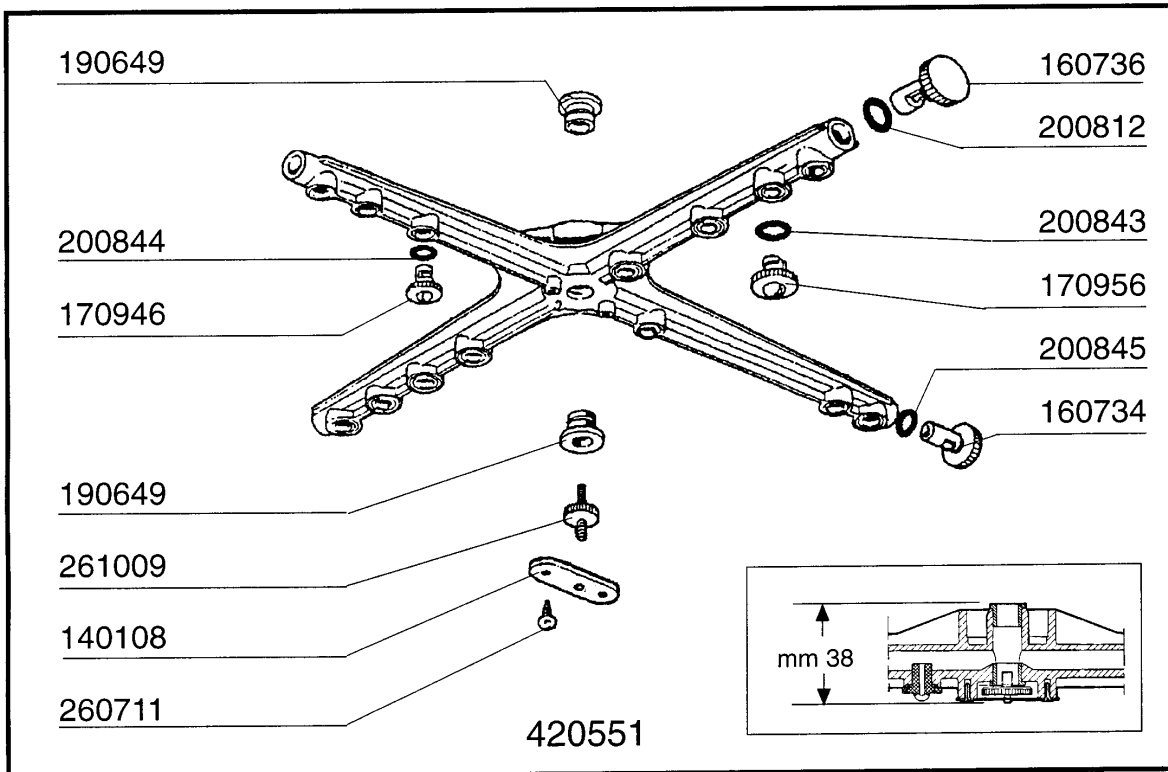
2 - Hood

CODE	DESCRIPTION
150818	CABLE HOLDER PG 13,5
160755	PLUG FOR MACHINES WITHOUT SOFT
160772	PLUG FOR DOOR (BR-BC-FC)
160836	DOOR WASHER BR-BC-FC
160837	GASKET FOR TIE ROD BC-FC
160909	SUPPORT FOR GASKET
180506	DOOR CATCH BR-BC-FC
190644	SPACING NUT FOR TIE ROD BR-BC-
200489	GASKET 81X68X3
210204	FOOT FOR B20-10-11-12-15 ‡
260139	SCREW TE 5X16
260238	M4 X 10 MUSH/HD SCREW
320388	TOP PANEL BR-BC-FC43
321156	COVER FOR RINSE AID CONTAINER
322150	RIGHT GUIDE BC25-30
322151	LEFT GUIDE BC25-30
322907	DOOR BR25-BC25-BC25HR
322908	DOOR BC30-BC30HR-FC43
330227	DOOR ROD FOR BR-BC-FC43
341456	HOOD BC25
341460	HOOD BC30-FC43
341921	DOOR PIN BR-BC
341922	PIN FOR TIE ROD DOOR BR-BC
351258	LOWER FRONT PANEL BR-BC-FC43
351259	CENTRAL FRONT PANEL BR-BC-FC43
390138	LOWER BACK PANEL BR/BC20-25
390140	BACK PANEL BR/BC25
390141	BACK PANEL BC30/FC43
390142	LOWER COVER BR-BC-FC43
411004	PERMANENT MAGNET FOR MICROSWIT
441107	DOOR HINGE BR-BC-FC LEFT
441108	DOOR HINGE BR-BC-FC RIGHT
460350	BC25 NAME
460351	BC30 NAME
460354	BC25A NAME
460355	BC30A NAME



3 - Tank

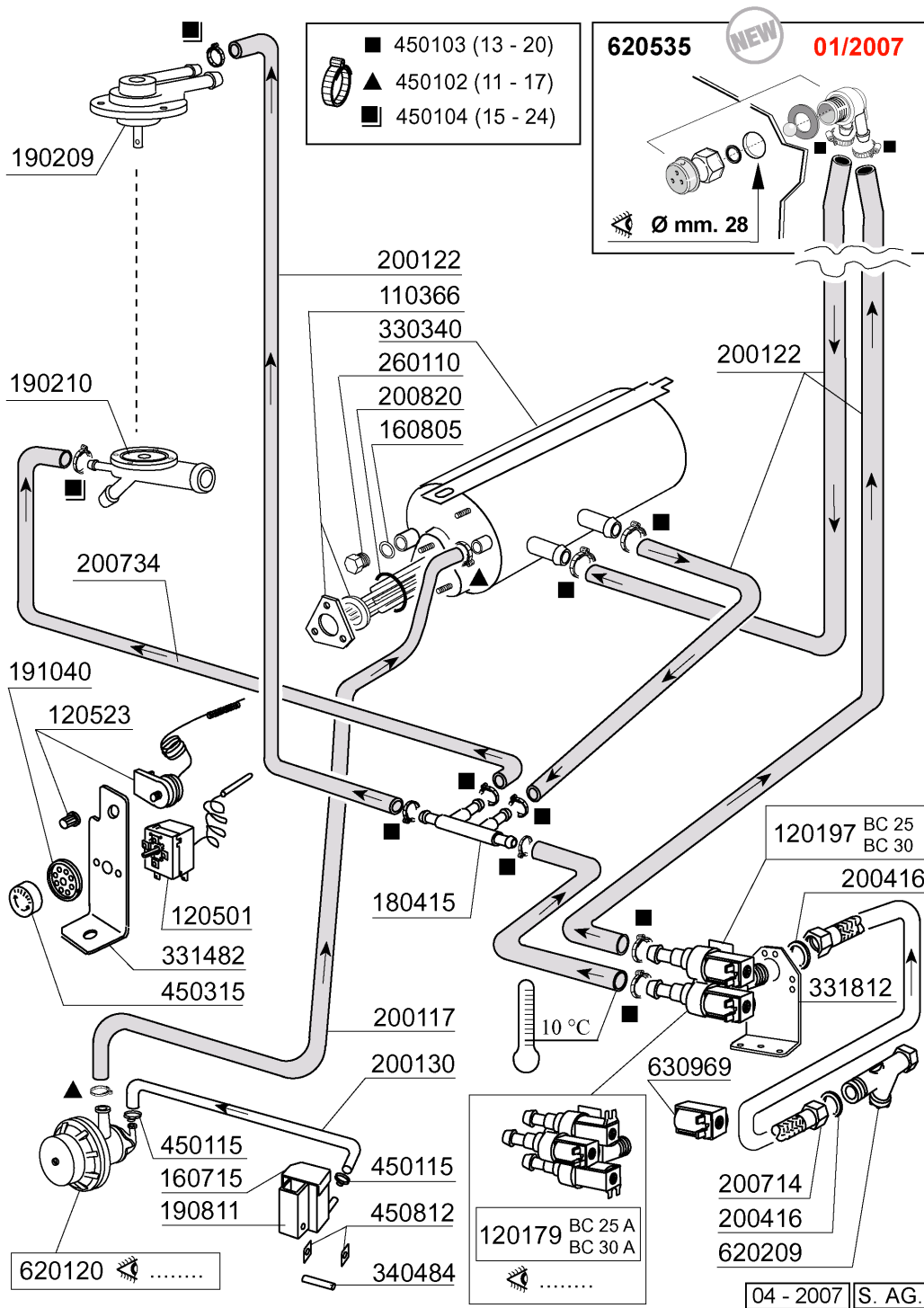
CODE	DESCRIPTION
100702	PUMP HP 0,3 220/240-50-2229
110260	HEAT.ELEMENT 1275W 230V BR-BC-
120524	TANKTHERMOSTAT GLASSWASHER
130617	PRESSURE SWITCH 60-40 BC-BR-FC
160769	PLUG F.UPPER WASH ARM SUPPORT
160771	NUT
161310	AIR CHAMBER FOR GLASSWASHERS B
161311	HOSE FOR AIR CHAMBER BC-BR-AC9
180239	SUCTION BASIN BR-BC-FC43
180716	OVERFLOW PIPE NR-BC-FC43
180817	SUCTION FILTER FOR BR-BC-FC43
190209	UPPER WASH/RINSE ARM SUPPORT "
190210	BOTTOM TEE WASH/RINSE BC-FC43
191064	LOWER WASH ARM SUPPORT FOR BC-
200122	HOSE 11X19
200494	GASKET FOR TANKTHERMOSTAT BT
200734	HOSE FOR RINSE
200770	UPPER/LOWER WASH HOSE B18TM-B1
200776	OUTLET HOSE FOR "BC-FC43" PUMP
200778	DELIVERY HOSE BR-BC-FC43
200779	DRAIN HOSE FOR BR-BC-FC43
200806	O-RING 2,62X13,10X18,34
200810	O-RING 2,62X9,92X15,6 F.GLASSW
200820	O-RING151 46,99X5,33X57,6
200821	O-RING 2,62X20,63
200855	GASKET LOWER WASH ARM SUPPORT
200856	O-RING 82,22X87,46X2,62
200913	GASKET FOR SUCTION BASIN BR-BC
200917	GASKET FOR OVERFLOW PIPE BR-BC
200927	GASKET FOR AIR TRAP
270121	NUT FOR AIR TRAP
330591	TANK FILTER BR-BC-FC43
350774	BRACKET
450104	CLAMP FE ZN H=12,5 15-24
450105	CLAMP FE ZN. 26-38 H=12,2
450106	CLAMP FE ZN 32-44 H=12,2
450107	CLAMP FE ZN 38-50 H=12,2
450115	ELASTIC CLAMP D.8,3/7,8
450137	COLLAR CONNECTION WITH BASE 31
450143	CLAMP D.39,7 X 37,7
450223	RETAIN.SPRING FOR FILTER BC-BR



4 - Wash arm

CODE	DESCRIPTION
140108	PLATE FOR WASH ARM
160734	END PLUGS RINSE ARM
160736	WASH ARM PLUG F45
170946	RINSE JET/RINSE ARM B-F
170956	WASH JET/WASH ARM B-F20
190649	BUSH WASH ARM GLASSWASHERS
200812	O-RING 1,78X17,17X20,73
200843	O RING 2X13X17
200844	O RING 2X9,5X13,5
200845	O RING 109 2,62X9,13X14,37
260711	SCREW 4,2X13 A2 DIN7972
261009	RETAIN.SCREW FOR WASH-RINSE AR
420531	PLASTIC WASH-RINSE ARM F20-B
420551	UPPER WASH ARM GLASSWASHERS

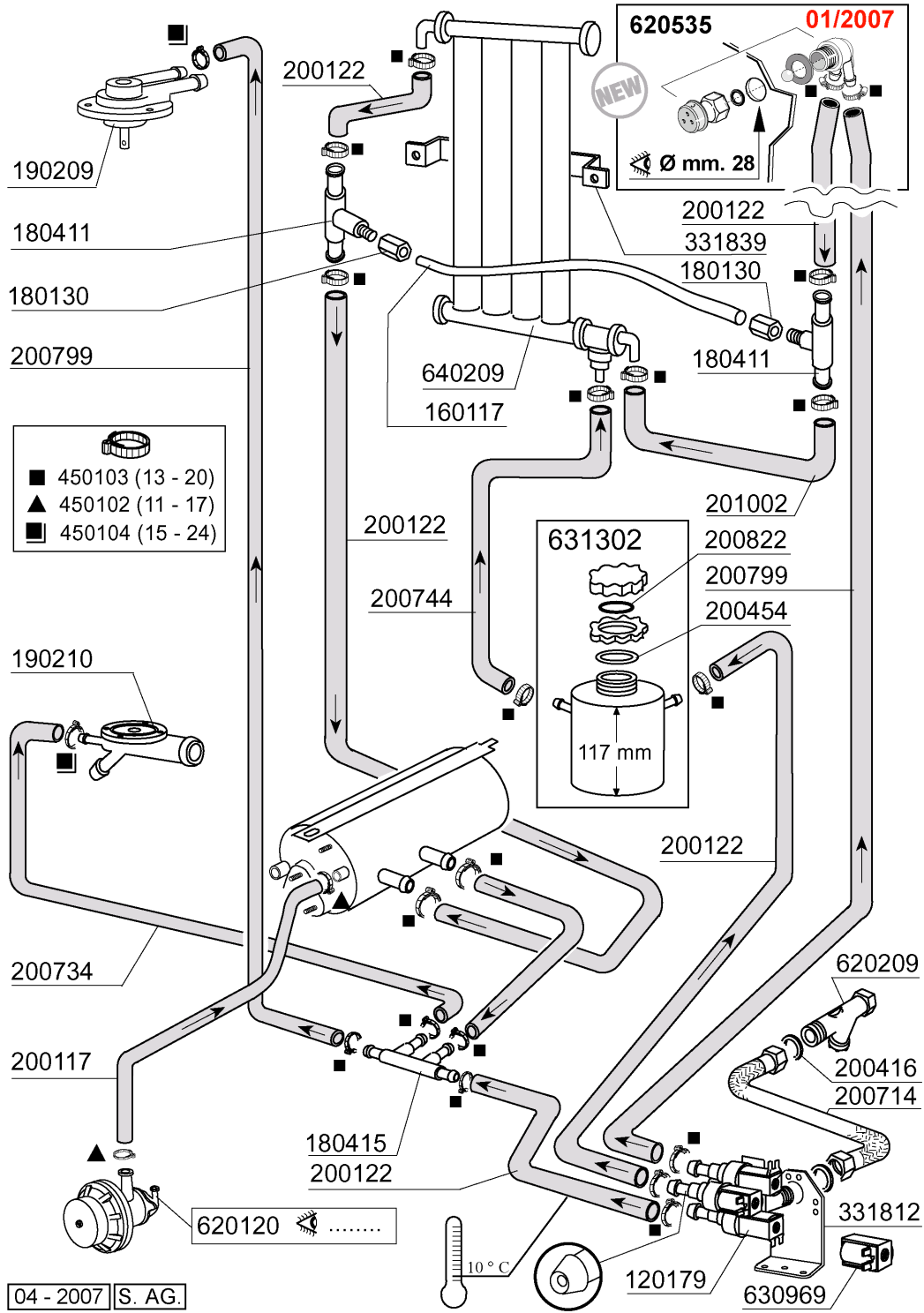
5 - Rinse assembly



Aggiornato / ultimo al 20 Marzo 07

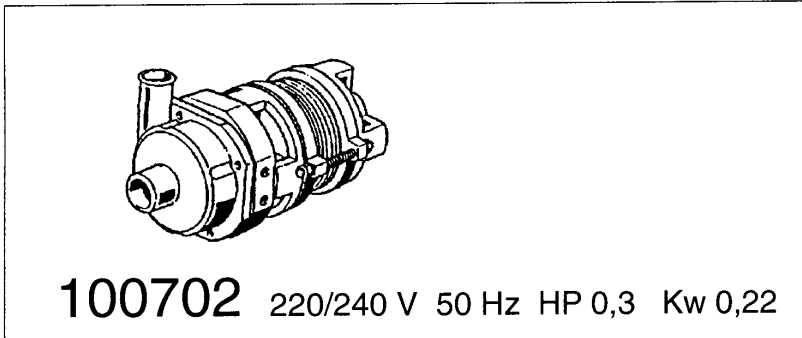
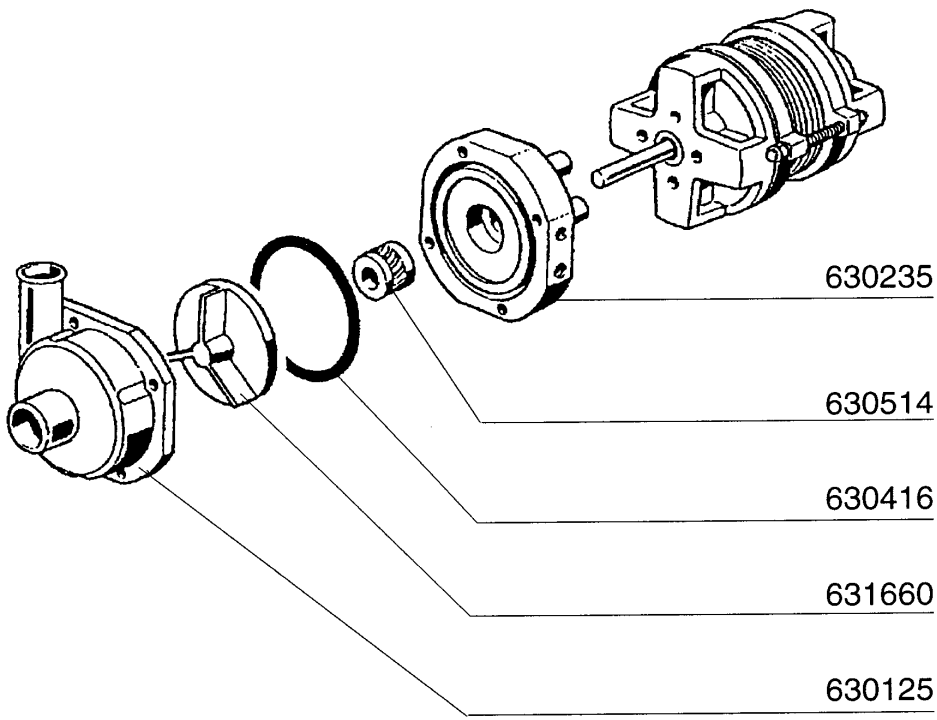
5 - Rinse assembly

CODE	DESCRIPTION
110366	HEAT.ELEM./BOILER 3200W 230V
120179	3-WAYS SOLENOID VALVE 90Ø
120197	2-WAY SOLENOID VALVE 220V
120501	THERMOSTAT 30/90ØC
120523	SAFETY THERMOSTAT 110Ø
160715	COVER FOR RINSE AID CONTAINER
160805	GASKET D.8
180415	TEE NIPPLE DOUBLE "T"
190209	UPPER WASH/RINSE ARM SUPPORT "
190210	BOTTOM TEE WASH/RINSE BC-FC43
190811	RINSE INJECTOR
191040	FRAME F.THERMOSTAT KNOB
200117	RUBBER HOSE 7X16
200122	HOSE 11X19
200130	RINSE AID INJECTOR SUCTION HOS
200416	GASKET D. 3/4"
200714	GLASSWASHER INLET HOSE
200734	HOSE FOR RINSE
200820	O-RING151 46,99X5,33X57,6
260110	SCREW TE 8X10
330340	BOILER BR-BC-FC43
331482	BRACKET FOR 2 THERMOST. B-F20
331812	BRACKET F.SOLEN.VALV BT
340484	SHAFT F. RINSE AID CONTAINER
450102	CLAMP FE ZN 11-17 H=9
450103	CLAMP FE ZN. 13-20 H=9
450104	CLAMP FE ZN H=12,5 15-24
450115	ELASTIC CLAMP D.8,3/7,8
450315	KNOB F. THERMOSTAT 90Ø
450812	SPRING FOR SPINDLE (CODE NO.34
620120	RINSE AID INJECTOR
620209	INLET WATER FILTER
620535	VACUUM BREAKER
630969	COIL S4216 220/50HZ



6 - Water softener

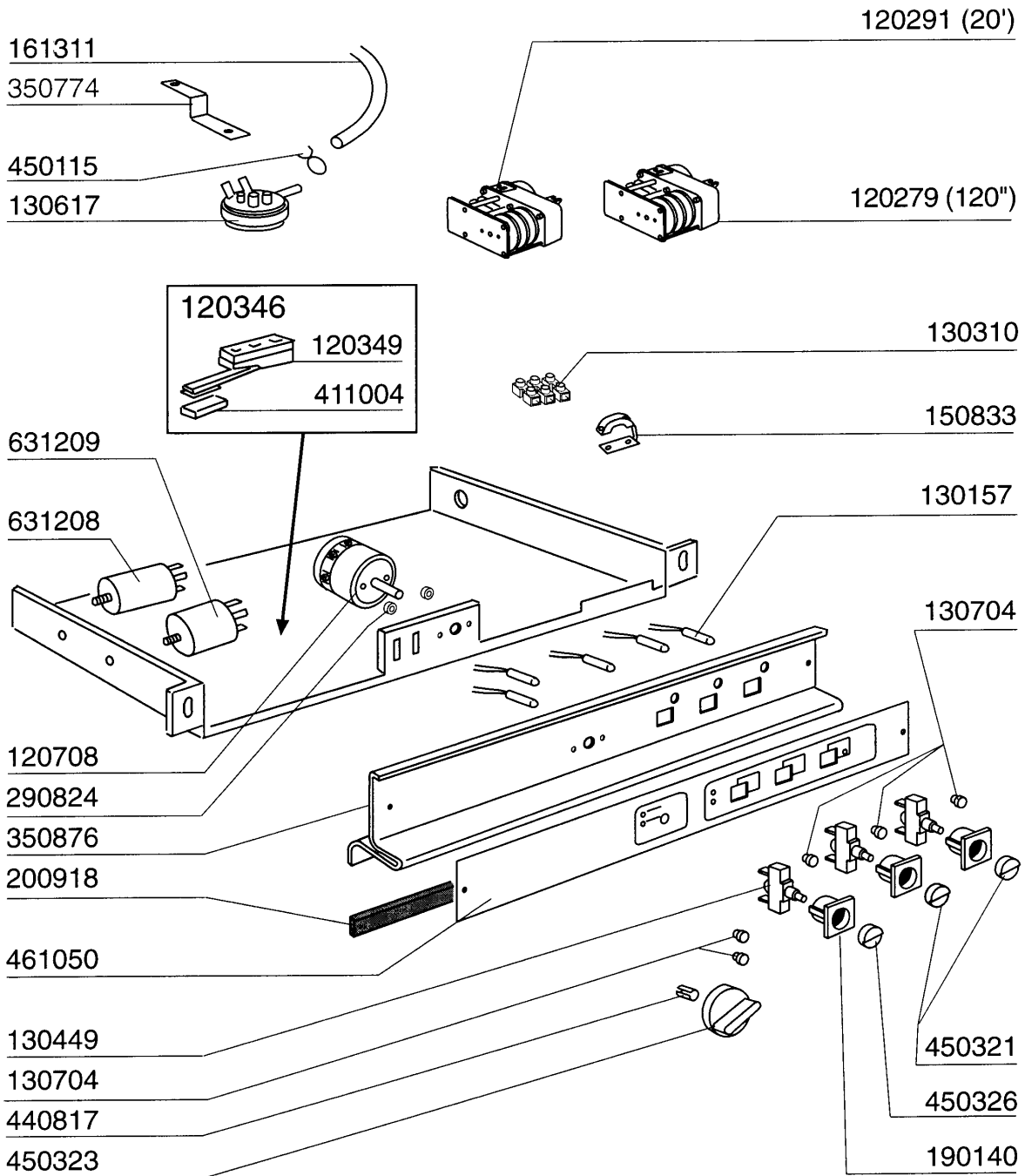
CODE	DESCRIPTION
120179	3-WAYS SOLENOID VALVE 90°
160117	HOSE 6,3X1,1 WITHE
180130	CONNECTION NUT FOR BY PASS (1/
180411	TEE-NIPPLE FOR BY PASS "BTM"
180415	TEE NIPPLE DOUBLE "T"
190209	UPPER WASH/RINSE ARM SUPPORT "
190210	BOTTOM TEE WASH/RINSE BC-FC43
200117	RUBBER HOSE 7X16
200122	HOSE 11X19
200416	GASKET D. 3/4"
200454	GASKET F. SALT CONT.
200714	GLASSWASHER INLET HOSE
200734	HOSE FOR RINSE
200744	HOSE FOR WATER SOFTENER B12‡
200799	HOSE
200822	PLUG GASKET OF SALT CONTAINER
201002	HOSE
331812	BRACKET F.SOLEN.VALV BT
331839	BRACKET FOR WATER SOFTENER
450102	CLAMP FE ZN 11-17 H=9
450103	CLAMP FE ZN. 13-20 H=9
450104	CLAMP FE ZN H=12,5 15-24
620120	RINSE AID INJECTOR
620209	INLET WATER FILTER
620535	VACUUM BREAKER
630969	COIL S4216 220/50HZ
631302	SALT CONTAINER
640209	WATER SOFTENER (4 COLUMNS)



01 - 1999 S. AG.

7 - Wash pump

CODE	DESCRIPTION
100702	PUMP HP 0,3 220/240-50-2229
630125	VOLUTE 0,12/0,3(2212-29)
630235	PUMP COVER 0,12/0,3 2212-19
630416	OR FOR VOLUTE 0,12/0,3
630514	PUMP SEAL FIR4208
631660	IMPELLER F.2229 HP 0,3-50 HZ



8 - Control box BCA

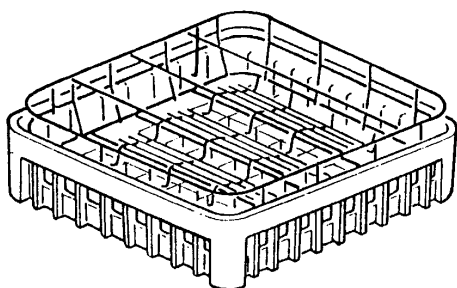
CODE	DESCRIPTION
120279	TIMER 120" BR-BC
120291	REGENERATION TIMER 20'
120346	DOOR MICROSWITCH WITH MAGNET
120349	DOOR MICROSWITCH BR-BC-FC43
120708	SWITCH 16 AMP 3 POS.
130157	GREEN LED FOR BR-BC-C-SERIES -
130310	TERMINAL BLOCK 3 POSITIONS
130449	PUSH BUTTON BR-BC-FC
130617	PRESSURE SWITCH 60-40 BC-BR-FC
130704	GREEN COLOUR.IND.LAMP COVER
150833	CABLE HOLDER BC/BR
161311	HOSE FOR AIR CHAMBER BC-BR-AC9
190140	BUTTON HOLDER BR-BC-FC
200918	DOOR GASKET BR-BC-FC43
290824	DISTANCE PIECE FOR BR-BC-FC SW
350774	BRACKET
350876	SUPPORT FOR CONTROL PANEL BRA-
411004	PERMANENT MAGNET FOR MICROSWIT
440817	SNAP RING LSCB/1853/17/00
450115	ELASTIC CLAMP D.8,3/7,8
450321	GREY COVER FOR PUSH BUTTON BR-
450323	KNOB FOR BC-BR-C95-C155
450326	PUSH BUTTON "CYCLE" GREEN
461050	PLATE BR/A-BC/A-FC43A
631208	CONDENSER 5MF.450V
631209	ANTI-NOISE FILTER



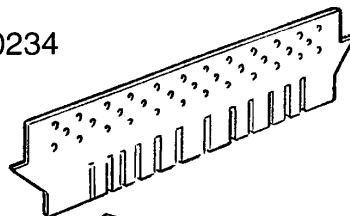
02 - 2004 | S. AG.

9 - Rinse aid injector

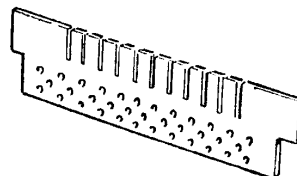
CODE	DESCRIPTION
160714	PLUG FOR RINSE AID INJECTOR MO
170701	LOCK NUT 1/2" F.INJECTOR
180306	NIPPLE F.RINSE AID INJECTOR
190107	COVER FOR RINSE AID DISPENSER
190108	VOLUTE FOR RINSE AID DISPENSER
190803	GASKET SUPPORT RING F.INJECT
191018	FILTER SUPPORT RINSE AID INJEC
200444	SUCTION VALVE RINSE INJECTOR
200816	O-RING 2,5X59,2X64,2 RINSE INJ
200825	O-RING 3X5X11 RINSE INJECTOR
200861	O-RING 14X18X2
260142	SCREW TE 4X16
260213	SCREW TCP 5X25
260402	STAINLESS STEEL NUT D4 UNI 55
260404	STAINLESS STEEL NUTS D6 UNI 55
260512	ST/ST GROWER WASHER D6
330543	FILTER RINSE AID INJECTOR D.17
340483	PISTON FOR RINSE AID DISPENSER
381105	DIAPHRAGME DISC
440405	GASKET FOR RINSE AID INJ.
450214	SPRING RINSE AID INJECTOR
620120	RINSE AID INJECTOR
630614	DIAPHRAGM RINSE INJECTOR



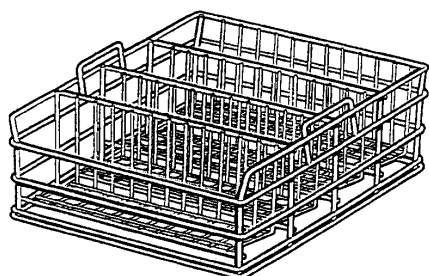
660714



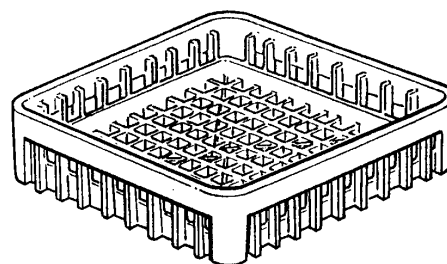
660234



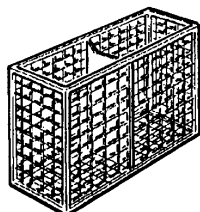
660235



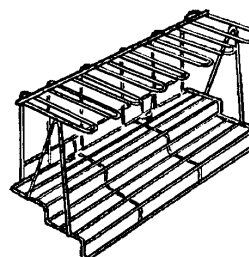
520131



660712



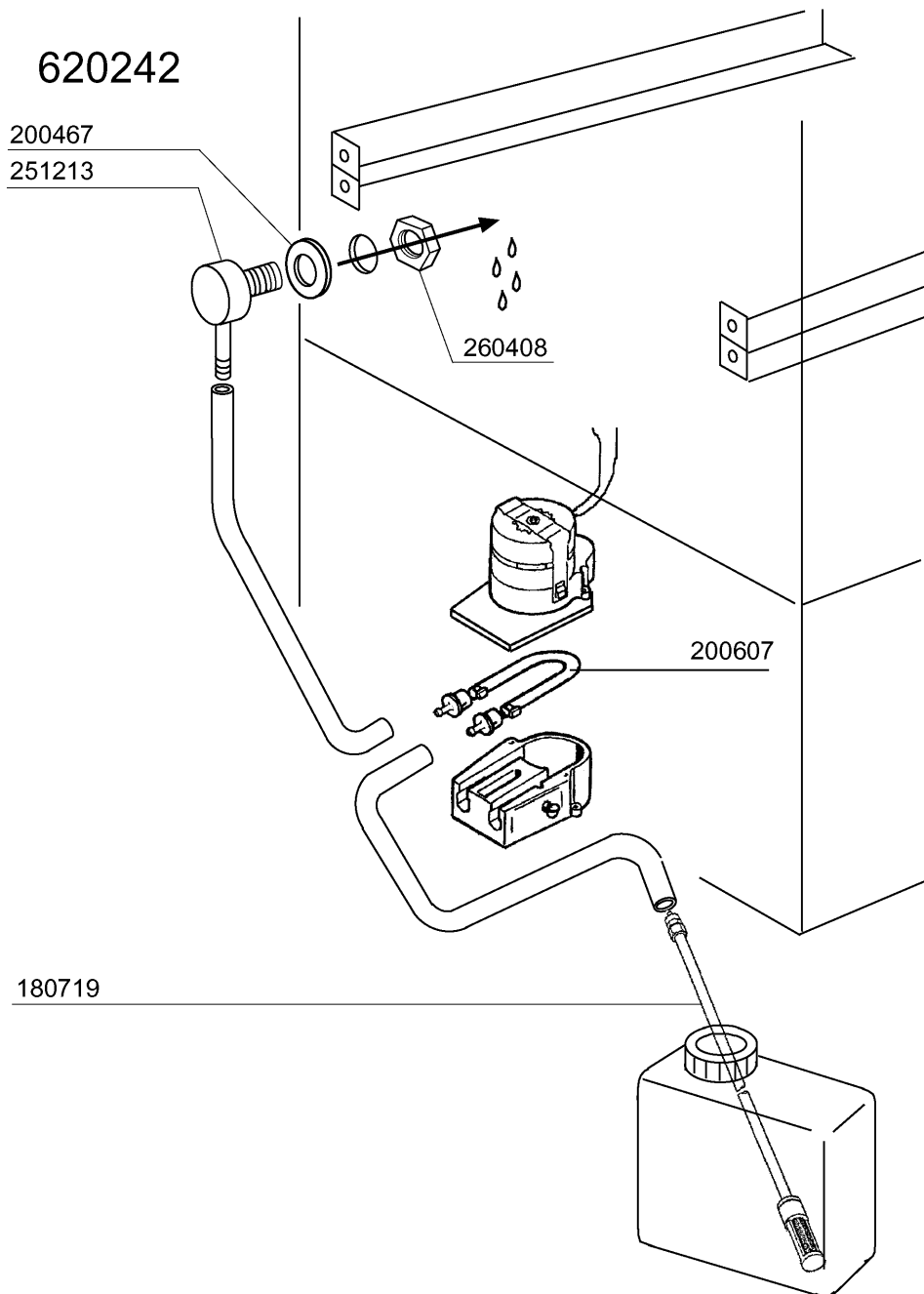
660519



520611

10 - Rack

CODE	DESCRIPTION
520131	GLASS RACK 40X40 H270
520611	INSERT FOR CHAMPAGNE GLASSES
660234	UPPER INSERT FOR 16-25-36 GLAS
660235	LOWER INSERT FOR 16-25-36 GLAS
660519	2-PLACES CUTLERY HOLDER
660712	BASE RACK 400X400
660714	GLASS RACK (400X400)



11 - Detergent dispenser

CODE	DESCRIPTION
180719	DETERGENT DISPENSER SUCTION HO
200467	DUTRAL GASKET F. AIR TRAP
200607	DETERGENT DISPENSER HOSE
251213	INJECTIOR S/S FOR DETERGENT IN
260408	S/S NUTS D.12
620242	DETERGENT INJECTOR (KIT)